

SCR-A Series Steel Compact Ringdown Telephones SCR-11-A • SCRT-41-A



Our SCR-A Series of Steel Compact Ringdown Telephones are designed for harsh environments requiring special communication needs, ensuring dependable high quality communications under extreme working conditions. As soon as the receiver is lifted, SCR-A Series Ringdown Telephones automatically connects the caller to an assigned PBX location.

FEATURES and BENEFITS

- Encapsulated circuit boards impervious to water condensation and dust
- 16 gauge corrosion protected steel enclosure with powder coat finish
- Rust and corrosion resistant stainless steel hardware
- Electret noise reducing microphone
- Magnetic reed hook-switch reduces moving parts subject to wear
- Service temperature range from -40° to +60°C (-40° to 140°F)
- Heavy duty familiar G type industrial handset

APPLICATIONS

These telephones are designed to provide reliable communications in environments subject to moisture, dust and corrosive chemicals, such as:

- Refineries
- Power Generation Facilities
- Pulp and Paper Mills
- Food Processing Plants
- Chemical Plants
- Construction Sites
- Cement Plants
- Sewage Plants
- Drilling Rigs
- Hydroelectric Facilities
- Warehouses
- Mines
- Greenhouses
- and more . . .

INSTALLATION and CONNECTABILITY

To provide flexibility and potential for growth, the SCR-A Ringdown Telephones are easily and economically connected to any telephone network by standard wiring and components. Voice quality is unaffected when phones are connected within ~ 4,600 meters (15,000 feet) of a main telephone switch accepting single line telephones. Maintaining safety standards may require use of wiring conduits or other considerations. Order SCR-A Ringdown Telephones separately or as part of an integrated system.

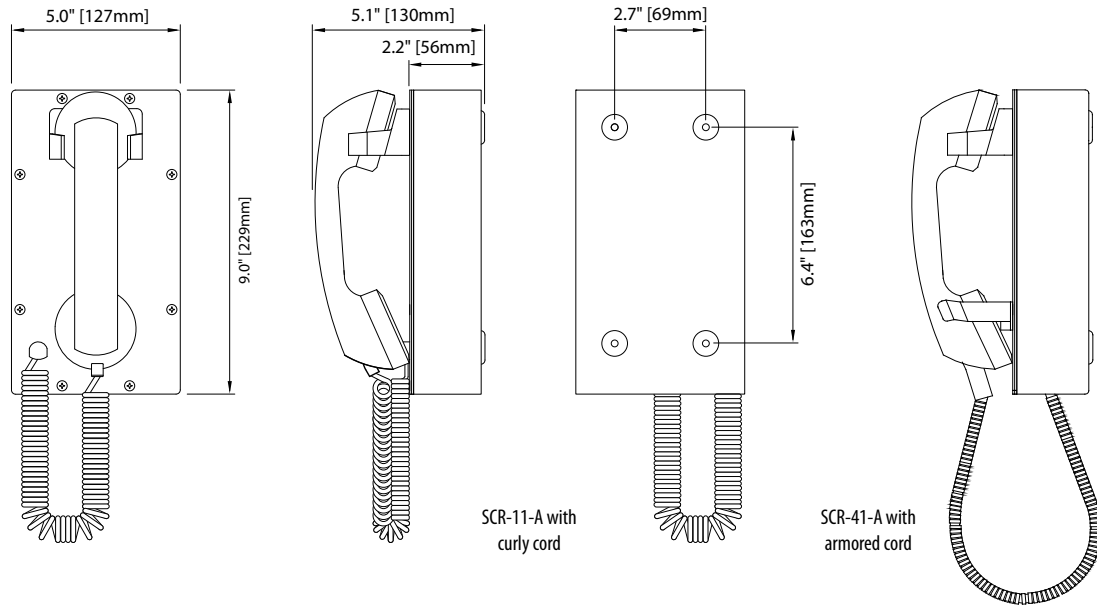
ACCESSORIES and OPTIONS

- 20C – 6m (20') Curly cord for SCR-11-A only
- 36AC – .9m (36") Armored Handset Cord
- 72AC – 1.8m (72") Armored Handset Cord
- CH – Conduit hub
- NC – Noise canceling microphone



Enhancing Communication
Through Innovation
And Expertise

OVERALL DIMENSIONS



SCR-A Series Steel Compact Ringdown Telephones

ENGINEERING SPECIFICATIONS

ELECTRICAL PERFORMANCE

Audio Range Frequency Response	300 - 3400 Hz
Dialing Method	Hotline Operation
Send Loudness Rating (SLR)	Short 8 dB +/- 4 dB
Receiver Loudness Rating (RLR)	Short -4 dB +/- 4 dB
Side Tone Masking Rating (STMR)	> 11 dB
Ringer Output	75 dB MAX
Ringer Equivalence	0.5
Set Impedance	600 Ohms nominal
Maximum Loop	~ 4,600m (15Kft) of 22 AWG Copper

ELECTRICAL REQUIREMENTS

Ringer Sensitivity	40 - 100 V, 16 - 25 Hz
Line Voltage	24 - 56 VDC
Loop Current	20 - 120 mA
Connection Method	Terminal Block / Surge Arrestor

MECHANICAL SPECIFICATIONS

Hook Switch (Cradle Switch) Life	>1 000 000 operations
Body Construction	16 Ga CRS Steel
Finish	Corrosion Protected & Powder Coated
Net Weight	4.0 lbs (1.81 kg)
Shipping Weight	6.0 lbs (2.72 kg)
Shipping Dimensions (H x W x D)	15.0" x 5.0" x 11.5" (381 x 127 x 293 mm)
Hand Set Construction	High Impact ABS
Mounting	Vertical Wall
Microphone	Noise Reducing Electret
Receiver	Hearing Aid Compatible
Hardware Material	Stainless Steel

ENVIRONMENTAL

Temperature	-40° to +60°C (-40° to +140°F)
Humidity	0 - 100% RH
Corrosion Resistant	Full Gasket Faceplate

COMPLIANCE

Australian Communications Authority	N14510
-------------------------------------	--------

ORDERING INFORMATION

Warranty: One year parts and labor

Order No.	Description
P6056	SCR-11-A Steel Compact Ringdown Curly Cord
P6058	SCR-41-A Steel Compact Ringdown Armored Cord
<i>Options</i>	
20C	20' Curly Cord (Bottom of Enclosure is Notched)
36AC	36" (.9m) Armored Handset Cord for WRT-40
72AC	72" (1.8m) Armored Handset Cord for WRT-40
CH	Conduit Hub
NC	Dynamic Noise Canceling Microphone



Enhancing Communication
Through Innovation
And Expertise

Qmax Group Pty Ltd
Welshpool, Western Australia
Ph: +61 (0)8 9455 4671 Fax: +61 (0)8 6210 1749
Email: info@qmax.net.au Internet: www.qmax.net.au