

S SERIES

PAGING HORN SPEAKERS

S SERIES PAGING HORN SPEAKERS

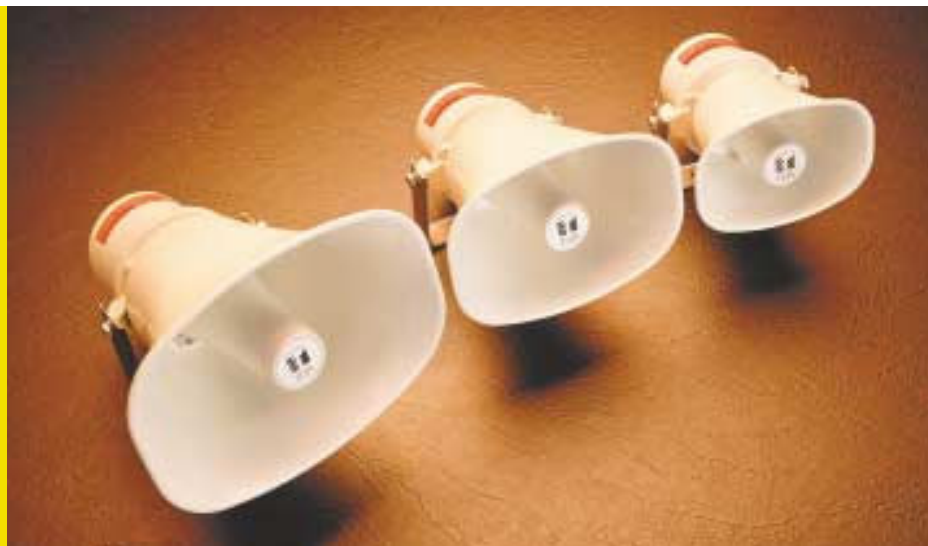
provide intelligible voice paging and tone signaling for indoor and outdoor sound system applications.

Fully weather-resistant for reliable operation in demanding environmental conditions, S Series models are available with a choice of power ratings from 10 W to 50 W and a built-in 25 V / 70.7 V transformer with external screwdriver-adjustable power taps. The S Series are easy to install in wall, pole or ceiling-mount applications and include corrosion-resistant stainless-steel mounting hardware. The S Series models are also designed for intercom talk-back applications requiring dual operation as both a microphone and speaker.

Each model is a double re-entrant horn with compression driver for high sensitivity and a lightweight aluminum enclosure. The loudspeaker diaphragm is heat and moisture-resistant to prevent deformation and extend operation. The S Series are also IP-65 standards compliant for dust and moisture-resistance with a wide operating temperature range from -4° F to 130° F.



Enhancing Communication
Through Innovation
And Expertise



HIGHLIGHTS

- **Paging Horn Speakers** for voice paging and tone signaling distribution.
- **Weather-Resistant** to withstand demanding environmental conditions.
- **Double Re-Entrant Horn with Compression Driver**
- **Controlled Dispersion**
- **High Sensitivity** up to 113 dB (1 W/1 m).
- **Usable as a Microphone** for intercom talk-back applications.
- **Built-In 25 V / 70.7 V Transformer ("T" Models)** with screwdriver-adjustable power taps (8 and 16 ohm models also available).
- **Lightweight, Sealed, Aluminum Enclosure** prevents moisture damage.
- **Cable Strain-Relief**
- **IEC IP-65 Standards Compliant** for dust and moisture-resistance.
- **Wide Temperature Range** -4° F to 131° F
- **Phenolic Loudspeaker Diaphragm** prevents deformation from heat and moisture.
- **Stainless-Steel Mounting Bracket** for easy installation and aiming in wall, pole or ceiling-mount applications.
- **Five Year Warranty**

S SERIES MODELS

- **S6100:** 10 W, 8 ohms
- **S6100T:** 10 W, w/ Transformer
- **S6150:** 15 W, 8 ohms
- **S6150T:** 15 W, w/ Transformer
- **S6300:** 30 W, 8 ohms
- **S6300T:** 30 W, w/ Transformer
- **S6500:** 50 W, 16 ohms

APPLICATIONS

- **Boats**
- **Churches**
- **Drive-Thru**
- **Industrial**
- **Mobile Vehicles**
- **Parking Facilities**
- **Parks**
- **Schools**
- **Security**
- **Sporting Facilities**
- **Swimming Pools**

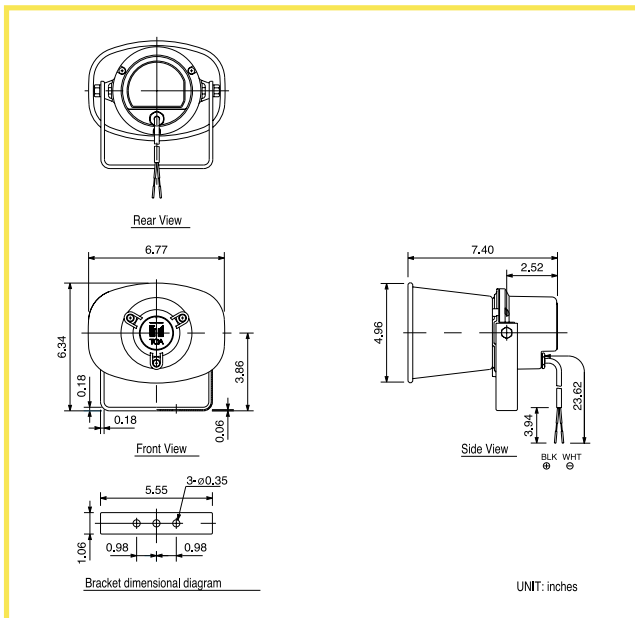
SPECIFICATIONS



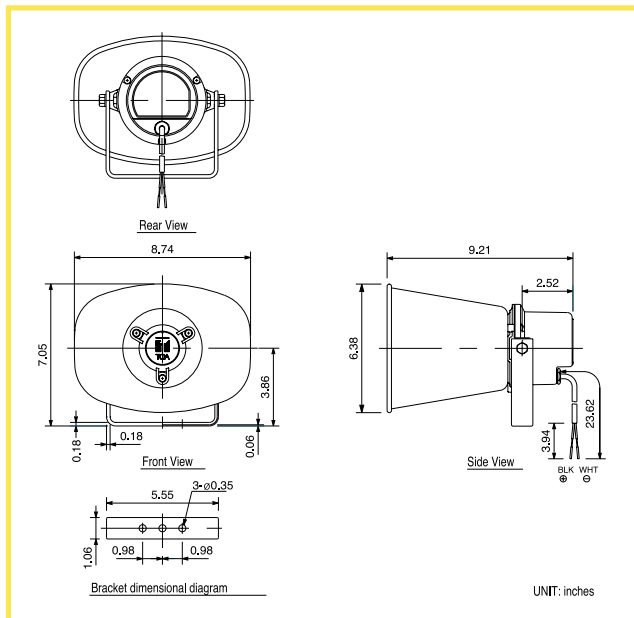
S SERIES PAGING HORN SPEAKERS

Email info@qmax.net.au Web www.qmax.net.au
 Phone +61 (0)8 9455 4671 Fax +61 (0)8 6210 1749

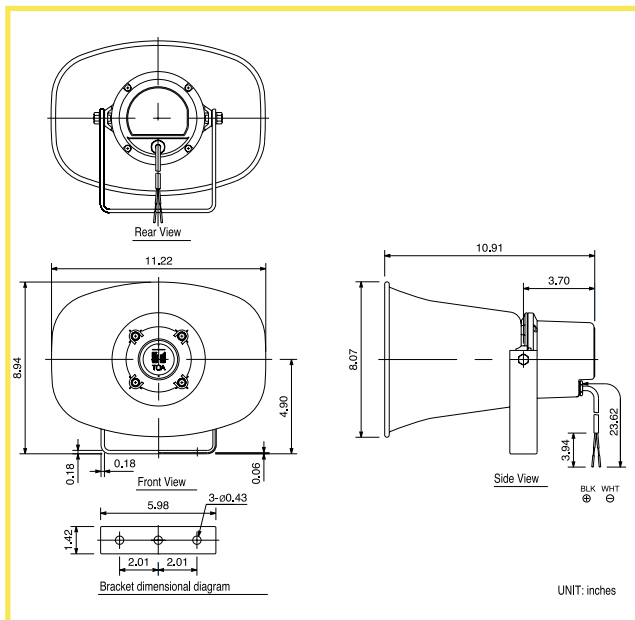
DIMENSIONAL DRAWINGS



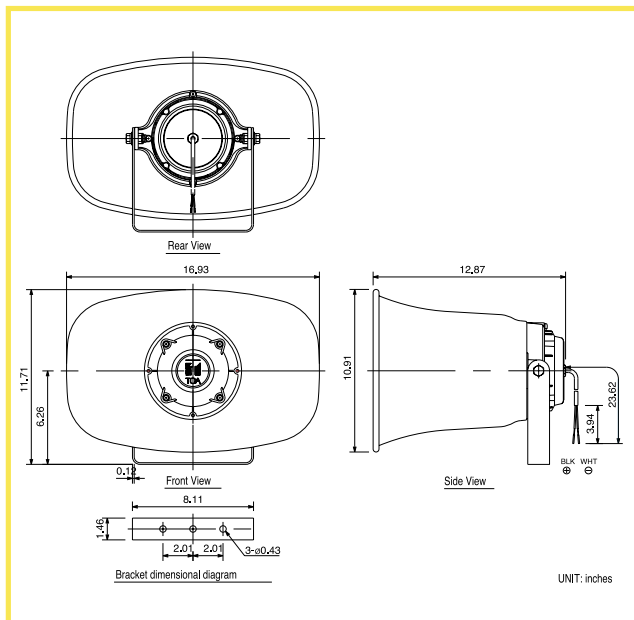
S6100/S6100T



S6150/S6150T



S6300/S6300T



S6500