

EXP Page/Talk Explosion Proof Stations



EXP Page/Talk
Explosion Proof
Five Line Station

The EXP Page/Talk Explosion Proof Stations are designed to provide communication in Class I and II, Div 1 areas. Easy to operate paging with the versatility of one or five talk lines. Individuals can be paged from any station and two or more people can communicate simultaneously on any available talk line.



FEATURES and BENEFITS

- Approved for Class I and II, Division 1 areas
- Water tight and dust protected explosion proof enclosure
- Power supply 24 VDC or 24/120/230 VAC
- Cast aluminum base and faceplate (copper free)
- Page-switch on faceplate
- Noise canceling microphone
- Electronic hook switch provides durability
- Durable powder coat paint (standard color shown)
- Side tone adjustment
- 12 watt speaker amplifier
- Monitors ambient noise and adjusts speaker volume automatically
- Removable screw and plug Combicon connectors allow for ease of installation
- Single line or multi line (5 lines)
- Can replace or be added to existing systems provided by several other manufacturers

APPLICATIONS

This product is designed for use in locations with the highest hazardous area classification such as:

- Mines
 - Chemical Plants
 - Refineries
 - Drilling Rigs
 - Defense Installations
 - Cement Plants
 - Bulk Loading Stations
 - Pulp & Paper Mills
 - Grain Processing and Similar Industries
 - Power Generation Facilities
 - Fertilizer Plants
 - Food Processing Plants
 - Sewage Plants
 - Construction Sites
 - Breweries & Distilleries
 - Pharmaceutical Plants
- and more . . .

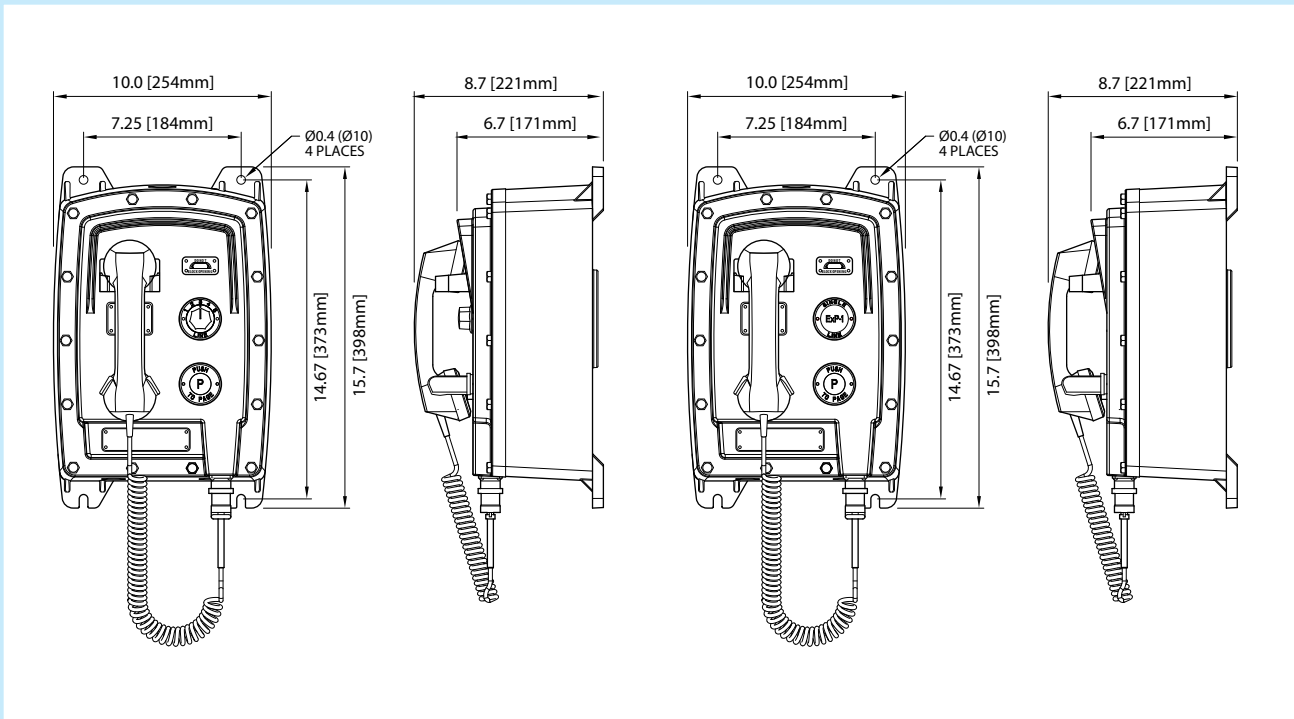
INSTALLATION and CONNECTABILITY

Our EXP Explosion Proof Station gives you the flexibility to set up a system based on your needs – as well as the ability to integrate equipment already in place. The EXP Explosion Proof Station components connect through simple plugs and System cable for easy installation. As part of an integrated system, the EXP Explosion Proof Station also interfaces with existing detection, alarm and process control equipment.

Recommended speaker:
SR40 (P7247) 40 watt 16 OHM
Explosion Proof Class I & II,
Division 1



OVERALL DIMENSIONS



EXP Page/Talk Explosion Proof Stations

ENGINEERING SPECIFICATIONS

ELECTRICAL REQUIREMENTS

Input Voltage	20-29 VDC	20-26 VAC	90-140 VAC	200-260 VAC
Power Cycle	n/a	50/60 Hz	50/60 Hz	50/60 Hz
Current	0.5 Amp	0.5 Amp	0.1 Amp	0.05 Amp
Fuse	1 Amp	1 Amp	0.5 Amp	0.25 Amp

HANDSET AMPLIFIER

Transmit Gain	50 dB
Frequency Response	250 - 4000 Hz
Distortion	1.0% Maximum THD @ 1000 Hz at Maximum Output

SPEAKER AMPLIFIER

Maximum Output Power	12 Watts
Amplifier Gain	50 dBm 0.5 RMS at Rated Output
Frequency Response	250 - 4000 Hz
Distortion	1.0% Maximum THD @ 1000 Hz at Maximum Output
Input Impedance	200K Ohms Nominal

MECHANICAL SPECIFICATIONS

Body Construction	Copper-free Cast Aluminum & Powder Coated
Net Weight	30 lbs (13.6 kg)
Shipping Weight	38.0 lbs (17.3 kg)
Shipping Dimensions (L x W x D)	20.0" x 15.0" x 11.5" (508 x 381 x 293 mm)
Mounting	Vertical Wall
Connection Fittings	Conduit or Cable Gland

ENVIRONMENTAL

Weather Proof Enclosure	CSA Type 4X
Dust & Corrosion Resistant	Full Gasket Faceplate
Temperature	-40° to +140°F (-40° to +60°C)
Humidity	0 - 95% RH Non-Condensing

CSA COMPLIANCE (Canada and United States)

Class 4818 02	– Signal Appliances – Audible – For Hazardous Locations
Class 4818 82	– Signal Appliances – Audible – For Hazardous Locations Certified to US Standards
Class I, Div. 1, Groups B, C and D; Class II, Div. I, Groups E, F and G	
Canada:	Class I Zone 1 Ex d IIB+H2 T5
United States:	Class I Zone 1 AEx d IIB+H2 T5; Class II Zone 21
ABS	Design & Type Approval

ORDERING INFORMATION

Warranty: One year parts and labor

EXP Page/Talk Explosion Proof Station

Order No.	Description
P5930	EXP Single Line Paging Station, 120 VAC
P5931	EXP Single Line Paging Station, 240 VAC
P5932	EXP Single Line Paging Station, 24VAC
P5933	EXP Single Line Paging Station, 24 VDC
P5935	EXP Five Line Paging Station, 120 VAC
P5936	EXP Five Line Paging Station, 240 VAC
P5937	EXP Five Line Paging Station, 24 VAC
P5938	EXP Five Line Paging Station, 24VDC