



DTT-50-Z/DTT-60-Z

Zone 1 Hazardous Area Telephones

DTR-51-Z/DTR-61-Z

Zone 1 Hazardous Area Ringdown Telephones



FEATURES and BENEFITS

- ATEX Zone 1, Zone 21 approved – T5 & T6 rated
- Wide temperature range from -22°F to +140°F (-30°C to +60°C)
- IP66, static dissipative, high impact thermoset industrial housing and handset
- Reversible base for desktop or wall mount configurations
- Audio modes – handset and hands-free speaker phone or optional headsets (DTT model only). *Note: when the optional headset is used the speaker phone feature is not available*
- Corrosion resistant hardware
- Noise canceling microphone
- Self resetting fuse prevents damage to the electronic circuits in the event of a high voltage spike on the telephone line
- Magnetic reed hook switch to reduce parts subject to wear
- Factory set to tone (DTMF) Operation
- Pulse dialing can be software configured in the field, 60:40 or 66:33
- Removable handset retainer latches on cradle
- Urethane coated water tight silicon keypad on DTT-Z models
- Link, Release, Redial and Flash keys on DTT-Z models
- Hearing-aid compatible (HAC) receiver
- Receiver Volume Control provides user with a 16 dB range
- Ergonomic heavy duty handset
- Heavy duty coil cord on DTT-50-Z and DTR-51-Z or armored cord on DTT-60-Z or DTR-61-Z
- Built in ring detect relay to switch up to 240V @ 5 amps
- DTT-Z models feature a back lit LCD display – 2 line x 16 character: English, French or Spanish
- 20 number memory including 10 programmable speed-dial numbers
- Programmable auto hang-up timer
- Two M20 and one M12 access ports
- Field repairable by authorized personnel
- Does not require external power – operates on telephone line power

APPLICATIONS

- Chemical Plants
- Oil & Gas Metering Facilities
- Offshore Drilling Rigs
- Fueling Stations
- Munitions Storage Depots
- Bulk Loading Stations
- Fertilizer Plants
- Breweries and Distilleries
- Land-based Drilling Rigs
- Missile Silos
- Tanker and Tanker Depots
- Defense Installations
- Refineries
- Petrochemical Plants
- Gas Plants
- Paint Manufacturing Plants
- (LNG) Liquefied Natural Gas Terminals
- Mines
- Sewage Treatment Plants
- and more ...

INSTALLATION and CONNECTABILITY

To provide flexibility and potential for growth, Guardian telephones are easily and economically connected to any telephone network by standard wiring and components. Voice quality is unaffected when phones are connected within 15,000 feet (~ 4,600 meters) of a main telephone switch accepting single line telephones. Maintaining safety standards for telephone and ring detect relay wiring may require use of special wiring conduits or other considerations. DTT-Z telephones can be factory set for either tone or pulse operation.

ACCESSORIES and OPTIONS

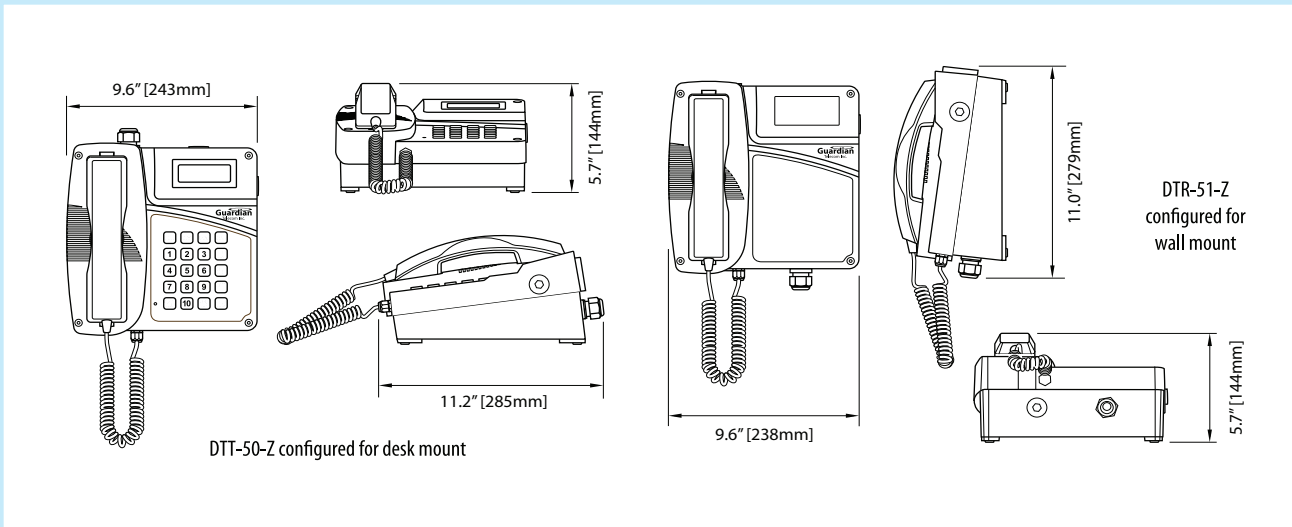
- SRX-50-2 - supplemental ear piece receiver
- Headset

Guardian Telecom DTT-Z & DTR-Z Zone 1 telephones are designed to provide safe, reliable communication in hazardous areas that are prone to high humidity, chemical vapors, dust and physical abuse. DTT-Z models have a keypad and can be programmed for speed dialing. DTR-Z models are ringdown versions. DTT-Z & DTR-Z telephones offer economical Zone 1 protection.



**Enhancing Communication
Through Innovation
And Expertise**

OVERALL DIMENSIONS



DTT-Z Zone 1 Hazardous Area Telephones • DTR-Z Zone 1 Hazardous Area Ringdown Telephones

ENGINEERING SPECIFICATIONS

ELECTRICAL PERFORMANCE

Audio Range Frequency Response	300 - 3400 Hz
Dialing Method	DTMF or 60:40/66:33 Pulse @10 PPS
Transmit Objective Loudness Rating (TOLR)	Nominal -38.5 +/- 3 dB
Receiver Volume Adjustment*	8 Steps 2 dB/Step
Receiver Objective Loudness Rating (ROLR)	Nominal 50 +/- 3 dB
- receiver volume at maximum	42 +/- 3 dB
- receiver volume at minimum	58 +/- 3 dB
Side Tone Objective Loudness Rating (SOLR)	Nominal 11 +/- 4 dB
- receiver volume at maximum	0 +/- 4 dB
- receiver volume at minimum	10 +/- 4 dB
Memory Dial	} DTT-Z Models Only
Flash	
Redial	20 Numbers Including 10 Quick Dial
Ringer Output	280/600 mSec Timed Disconnect
FCC Ringer Equivalence	31 Digits Maximum
Set Impedance	85 dB @ 1M
Maximum Loop	0.9 A
	600 Ohms Nominal
	15Kft (~4,600m) of 22 AWG Wire

ELECTRICAL REQUIREMENTS

Ringer Sensitivity	40 -100 V, 16 - 25 Hz
Line Voltage	24 - 56 VDC
Loop Current	DTT-Z: 26 - 100 mA, DTR-Z: 20 - 100 mA
Connection Method	Terminal Strip
Fuse - Main Telephone CCT	250 mA - Auto Reset
Ring Detect Relay Contacts (Fused)	5 Amp 240 VAC Fast Blow

MECHANICAL SPECIFICATIONS

Hook Switch (Cradle Switch) Life	>1 000 000 Operations
Body Construction	High Impact Thermoset Compound
Hand Set Construction	High Impact Thermoset Compound
Net Weight	8.6 lbs (3.9 kg)
Shipping Weight	10.5 lbs (4.8 kg)
Shipping Dimensions (L x W x D)	16.0" x 10.5" x 9.5" (407 x 267 x 242 mm)
Mounting	Desk Top or Vertical Wall
Microphone	Noise Canceling
Receiver	Hearing Aid Compatible
Hardware Material	Stainless Steel
Connection Fittings	2 M20 and 1 M12 Gland Entries

ENVIRONMENTAL

Corrosion Resistant	Full Gasket Faceplate
Temperature Range	-30° to +60°C (-22°F to +140°F)*
* The LCD on DTT-Z models may become non-responsive in temperatures under -20°C (-4°F)	
Ingress Protection Rating	IP66
Humidity	0 to 95% RH

COMPLIANCE

ATEX - ZONE 1



II 2G Ex e ib mb IIC T5	II 2G Ex e ib mb IIC T6
II 2D Ex tD A21 IP66 T100°C	II 2D Ex tD A21 IP66 T80°C
-30°C ≤ Ta ≤ +60°C	-30°C ≤ Ta ≤ +45°C

EC Legislation
EC Harmonized Standards

ATEX Directive 94/9/EC, RTTE directive 1999/5/EC
EN60079-0:2006, EN60079-7:2007, EN60079-11:2007,
EN60079-18:2004, EN60950-1:2006
TRL09ATEX21205X and QAN TX091053

EC Certificate No.

= Explosion Protected

ORDERING INFORMATION

Warranty: One year parts and labor

Order No.	Description
P3020	DTT-50-Z Telephone/Silicon Keypad /Volume Control on Keypad/Curly Cord
P3021	DTT-60-Z Telephone/Silicon Keypad/Volume Control on Keypad/Armored Cord
P3022	DTR-51-Z Ringdown Telephone/Volume Control on Handset/Curly Cord
P3023	DTR-61-Z Ringdown Telephone/Volume Control on Handset/Armored Cord

Options

P3024	SRX-50-2 Supplementary Receiver
Extended handset cords (up to 20ft/6.1m)	

Headset

Custom colors are available for non-Zone 1 applications. Minimum quantities or premiums may apply. For details on custom options, contact a Guardian Telecom sales representative.

Distributed by:



Qmax Group Pty Ltd
Welshpool, Western Australia
Ph +61 8 9455 4671
Fax +61 8 6210 1749
Email : info@qmax.net.au
Internet : www.qmax.net.au